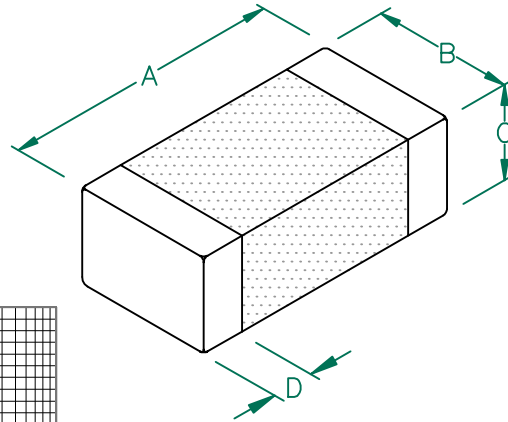


# LF1206A302R-10

**UNCONTROLLED DOCUMENT**

**PHYSICAL DIMENSIONS:**

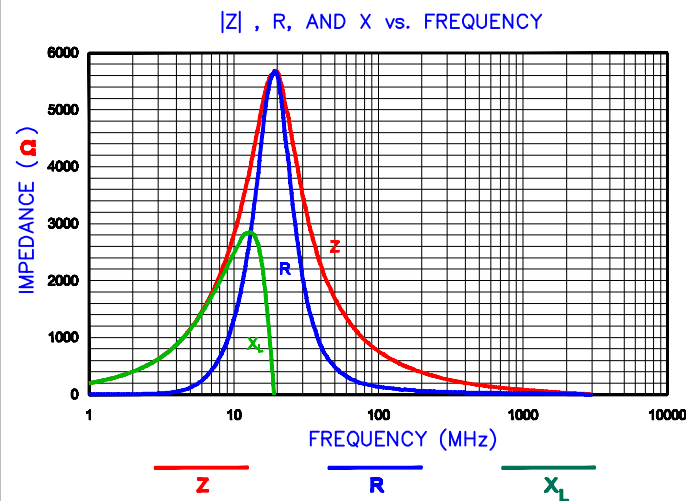
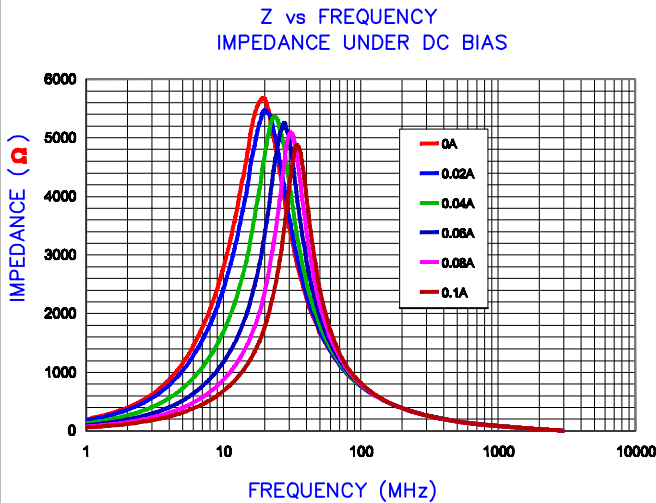
A	3.20 [.126]	+ 0.20 [.008]
B	1.60 [.063]	+ 0.20 [.008]
C	1.10 [.043]	+ 0.20 [.008]
D	0.51 [.020]	+ 0.25 [.010]



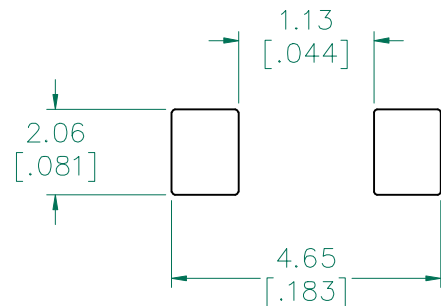
ELECTRICAL CHARACTERISTICS:		
Z @ 10MHz (Ω)	DCR (Ω)	Rated Current
Nominal	3000	
Minimum	2250	
Maximum	3750	100 mA

NOTES: UNLESS OTHERWISE SPECIFIED

1. TAPED AND REELED per CURRENT EIA SPECIFICATIONS 7" REELS, EMBOSSED PLASTIC TAPE 3000 PCS/REEL.
2. TERMINATION FINISH 100% MATTE TIN.
3. COMPONENTS SHOULD BE ADEQUATELY PREHEATED BEFORE SOLDERING.



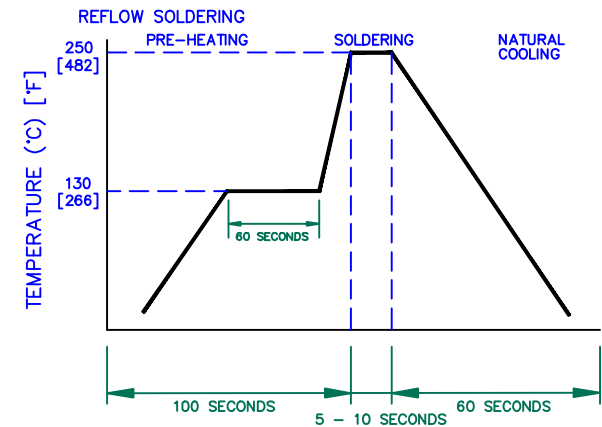
**LAND PATTERNS FOR REFLOW SOLDERING**



(For wave soldering, add 0.762 (0.030) to this dimension)



**RECOMMENDED SOLDERING CONDITIONS**



DIMENSIONS ARE IN mm [INCHES].				This print is the property of Laird Tech. and is loaned in confidence subject to return upon request and with the understanding that no copies shall be made without the written consent of Laird Tech. All rights to design or invention are reserved.			
PROJECT/PART NUMBER: <b>LF1206A302R-10</b>				REV <b>B</b>	PART TYPE: CO-FIRE	DRAWN BY: JRK	
<b>B</b>	UPDATE COMPANY LOGO	07/03/08	JRK	DATE: 09/12/06	SCALE: NTS	SHEET: 2 of 2	
<b>A</b>	ORIGINAL DRAFT	09/12/06	JRK	GAD #	TOOL #		
REV	DESCRIPTION	DATE	INT	LF1206A302R-10-B			